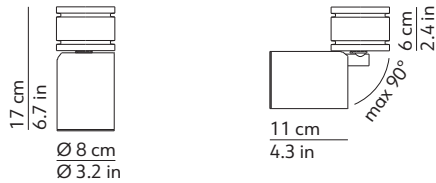


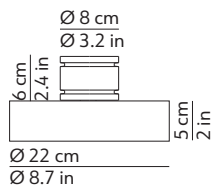


TECHNICAL DRAWINGS

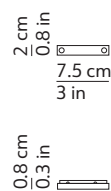
Spot



Driver kit



Cable holder plate



CODES

507431N	Spot
507-ALI70N	Driver kit for 220-240 V
507-ALI70NUS	Driver kit for 120 V compatible with Junction Box
507-CAV10	Copper cable 10 m / 32.8 ft
507-CAV30	Copper cable 30 m / 98.4 ft
507-AC1	Cable holder plate

TECHNICAL DATA

Spot

Light source type	Light bulb - GU 5.3 - 12 V
Source power	1 x 10 W max
Driver	Included (24 V to 12 V)
Dimmable	Yes, through Driver Kit only

Driver kit

Output	Constant voltage 24 V
Feeding	220-240 V / 120 V
Dimmable	Yes, max 5 spot
Dimming type	Phase cut

MULTIPLE COMPOSITION SYSTEM CAPABILITY (220-240 V)

Spot n°	max 9 (dimmmable max 5 spots)
Cable length	max 2 x 30 m / 98.4 ft

Max wattage per n° bulbs

Main commercial bulbs

Bulb consumption	Bulbs n° (max)
6 W	9
8 W	7
8.5 W	6
8.5 W	5

MULTIPLE COMPOSITION SYSTEM CAPABILITY (120 V)

Spot n°	max 7 (dimmmable max 5 spots)
Cable length	max 2 x 30 m / 98.4 ft

Max wattage per n° bulbs

Main commercial bulbs

Bulb consumption	Bulbs n° (max)
6.5 W	7
7 W	6
8.5 W	5

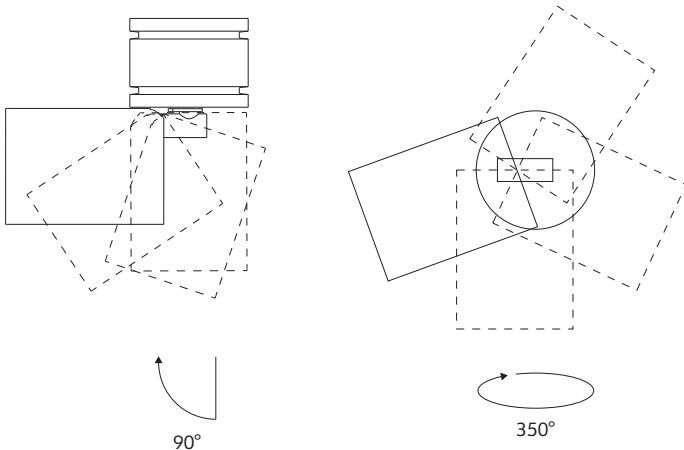
PRODUCT INFORMATION

Installation	Ceiling, wall
Spot	
Net weight	0.63 kg / 1.39 lbs
Colour	Black RAL9005
Finish	Matte
Material	Coated plastic holder and die casted aluminium coated spot
Driver kit	
Net weight	1.6 kg / 3.52 lbs
Colour	Black RAL9005
Finish	Matte
Material	Coated plastic holder and die casted aluminium coated disc
Cable	
Net weight (10m)	0.2 kg / 0.44 lbs
Net weight (30m)	0.6 kg / 1.32 lbs
Type	Coaxial
Length	10 m or 30 m / 32.8 ft or 98.4 ft
Colour	Copper
Finish	Matte
Material	Inner steel wire and outer copper mesh

PACKAGING

Box 1	
Spot	
Dimensions L x W x H	9 x 9 x 17.8 cm / 3.5 x 3.5 x 7 in
Volume	0.001 m ³ / 0.051 ft ³
Gross weight	0.67 kg / 1.47 lbs
Box 2	
Driver kit	
Dimensions L x W x H	25 x 25 x 13.5 cm / 9.8 x 9.8 x 5.3 in
Volume	0.008 m ³ / 0.298 ft ³
Gross weight	1.94 kg / 4.27 lbs
Box 3	
Cable	
Dimensions L x W x H	14 x 14 x 5 cm / 5.5 x 5.5 x 2 in
Volume	0.001 m ³ / 0.035 ft ³
Gross weight (10m)	0.23 kg / 0.51 lbs
Gross weight (30m)	0.63 kg / 1.39 lbs

ROTATION OPTIONS



INSTALLATION OPTIONS

